



Wechat



Wechat

✉ info@eonsolar.com.cn



SOLAR MOUNTING SYSTEMS

Catalogue

About us

Eon Solar Energy enterprise is an integration solar solutions company. We focus on researching, manufacturing, distribution and engineering of superior solar photovoltaic products. We provided professional solar mounting solutions including residential and commercial project. Professional engineer and strong sales team allow us to offering customers high-quality products with superior service. Eon solar is your best choice. We aim to deliver the complete range of energy efficient products and services to consumers seeking green energy efficient alternatives.

Achievement Customers

---we are committed to each customer satisfaction and success.

Entrepreneurial Innovation

--- we pursue vital innovation to customers and companies, rapid and efficient to promote its implementation.

Honesty and Integrity

---we uphold the trust, honesty and full of sense of responsibility, whether the internal or external.

Multiple Win-Win

--- we advocate understand each other, value the diversity, with a global perspective about our culture.



Project reference




- 1: Ground mount
- 2: Carport mount
- 3: Pile ground mount
- 4: Aluminum Ground mount



- 1: Ballast mount
- 2: Adjustable tilt solar mount
- 3: Triangle roof mount
- 4: Metal roof mount





Focus on aluminum mounting system for over 14 years

Technical support

- Design drawing-2 working days
- On site installation instruction

Factory Advantages

- Complete Industries Chain (quality control, fast delivery)
- Annual capacity over 1GW

R&D Ability

- OEM&ODM can be acceptable International Standard
- AS/NZ 1170.2 , TUV, ISO 90001:2008

Contents

Pitch roof mounting

- 01-02 Metal roof solar mount
- 03-04 Tile roof solar mount
- 05-06 Railless metal roof mount

Flat roof mounting

- 07-08 Adjustable tilt roof mount
- 09-10 Triangle roof mount
- 11-12 Railless ballast mount

Ground mounting

- 13-14 Aluminum ground mount
- 15-16 Hot galvanizing ground mount

Carport mounting

- 17-18 Carport mount

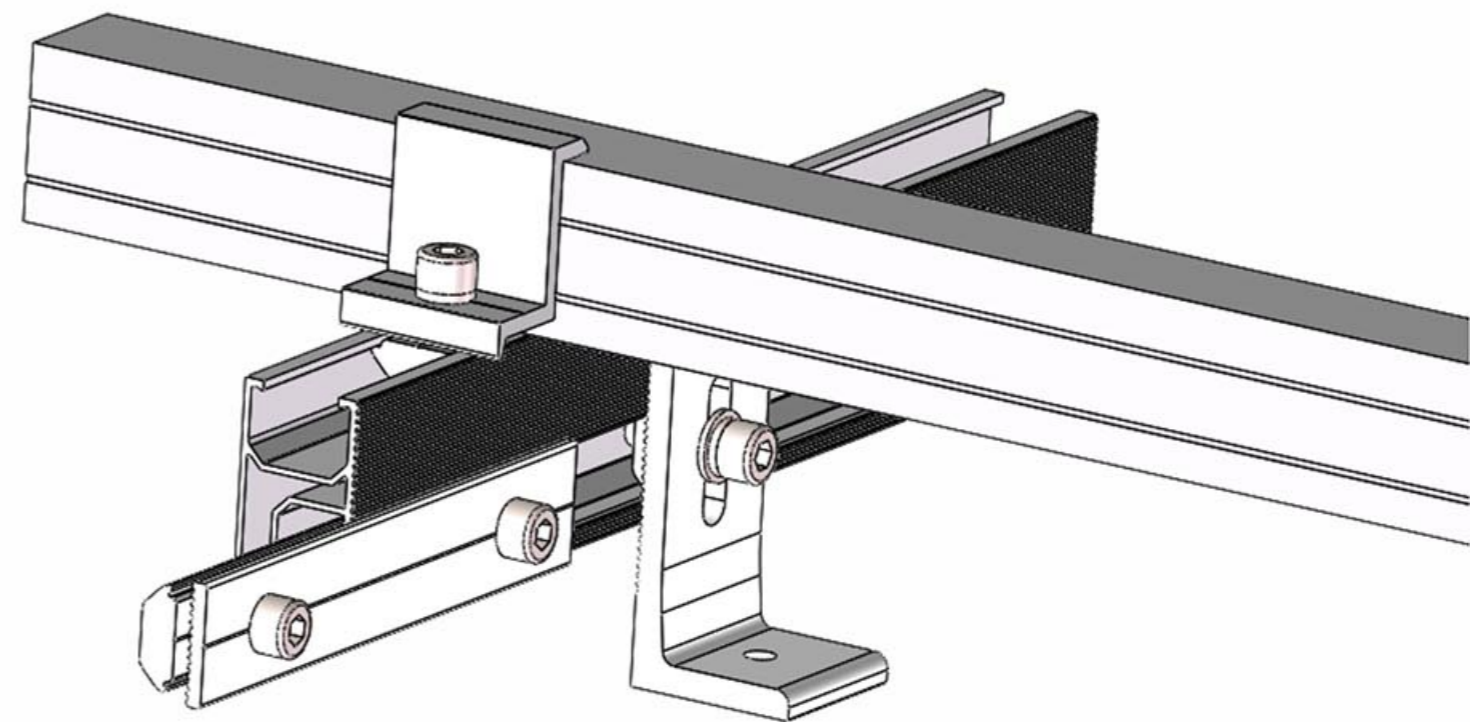
Accessories

- 19-20 Ground screw

Package



Metal roof solar mounting system



Features

Application	Pitched roof
Roof Slope	Up to 60°
Building height	Up to 20m
Roof cladding	Suitable for most types of cladding
Recommended wind speed	Up to 79.2m/s (wind region D)
PV module	Framed, unframed
Module orientation	Landscape, portrait
Material	Anodized aluminum 6005 T6 stainless steel 304
Standard	AS/NZ1170.2

The metal roof mounting system is suitable for roofing with corrugated sheet metal, trapezoidal metal sheet. L Feet, hanger bolt are available for foot options, making installation more fast, competitive and reliable. Systems are fully compliant with the Australian and other international standards on wind & snow load, making it suitable for a wide variety of climatic zones.

Components



EON L bracket



EON Rail



EON Rail splice



EON Mid clamp



EON End clamp



Tile roof solar mounting system



Features

Application	Pitched roof
Roof Slope	Up to 60°
Building height	Up to 20m
Roof cladding	Suitable for most types of cladding
Recommended wind speed	Up to 79.2m/s (wind region D)
PV module	Framed, unframed
Module orientation	Landscape, portrait
Material	Anodized aluminum 6005 T6 stainless steel 304
Standard	AS/NZ1170.2

The tile roof solar mounting system offers perfect solution for installation on tile roofing, the roof fastening is done using highly-resistant stainless steel roof hooks, which is suitable for nearly all coverings, such as pantile, plain tiles, slate tiles. Systems are fully compliant with the Australian and other international standards on wind & snow load, making it suitable for a wide variety of climatic zones.

Components



EON Tile roof hook



EON Rail



EON Rail splice

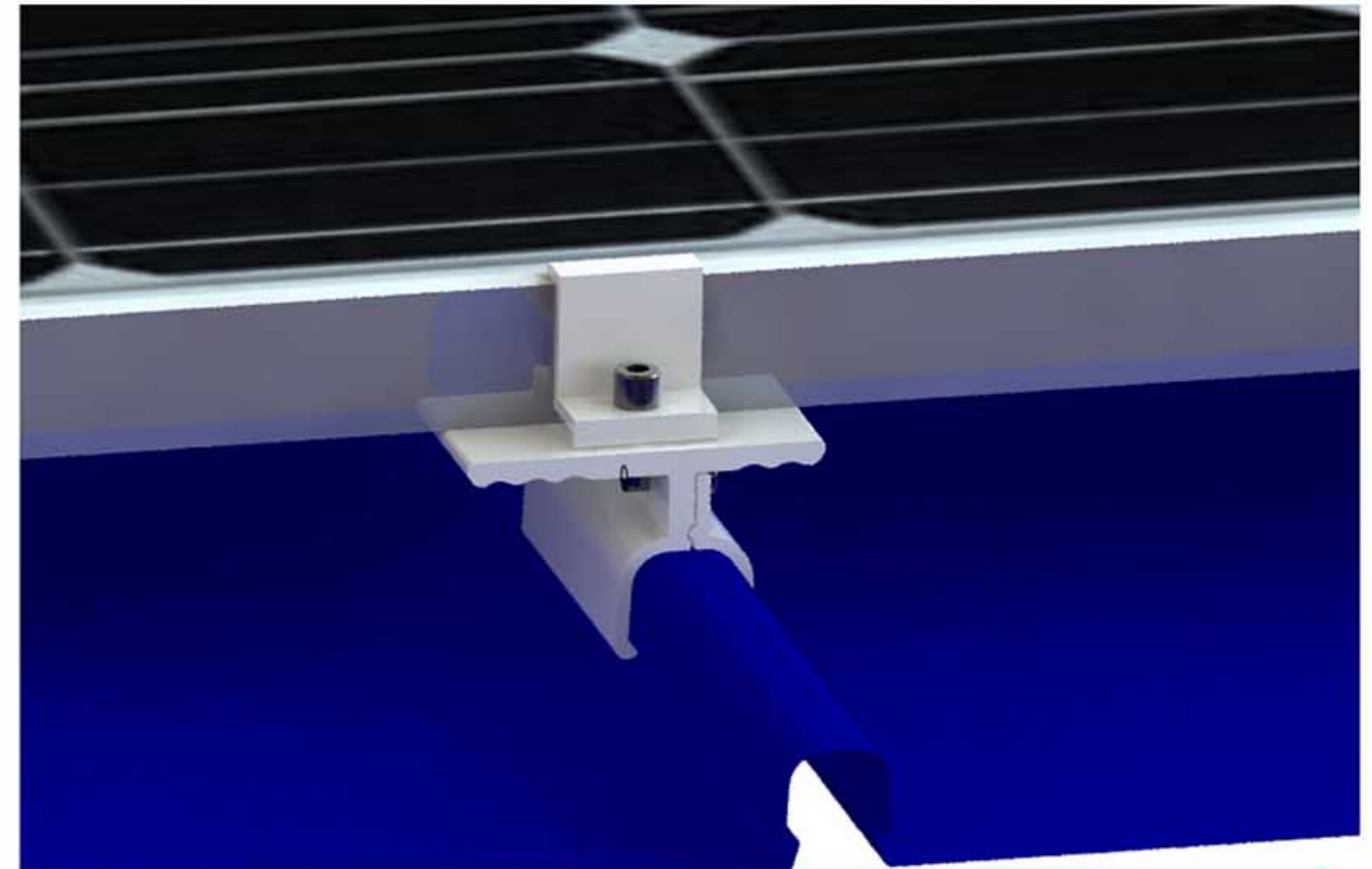


EON Mid clamp



EON End clamp

Standing seam roof mounting system



Features

Application	Trapezoidal sheet, sandwich roofing, standing seam Min. sheet thickness 0.8mm minimum
Roof Slope	Up to 60°
Building height	Up to 20m
Recommended wind speed	Up to 52m/s (wind region B)
PV module	Framed
Module orientation	Landscape, portrait
Material	Anodized aluminum 6005 T6 stainless steel 304,410
Standard	AS/NZ1170.2:2011, JIS C 8955:2011

The railless system facilitates the rapid mounting of framed PV modules on trapezoidal metal sheet roofs with minimum thickness 0.8mm, only four components are required to install the modules directly to the roof. A base mounting clip is 100mm or 140mm long, therefore easy to carry and attach to almost all trapezoidal and sandwich roofs. The EPDM sheet is in the package to seal the screw against the metal sheet.. Railless mounting system allows for easy logistics, cost-effective warehousing and easy mounting.

Components



Eon L Feet



EON Mid clamp



EON End clamp



EON Cliplok 406

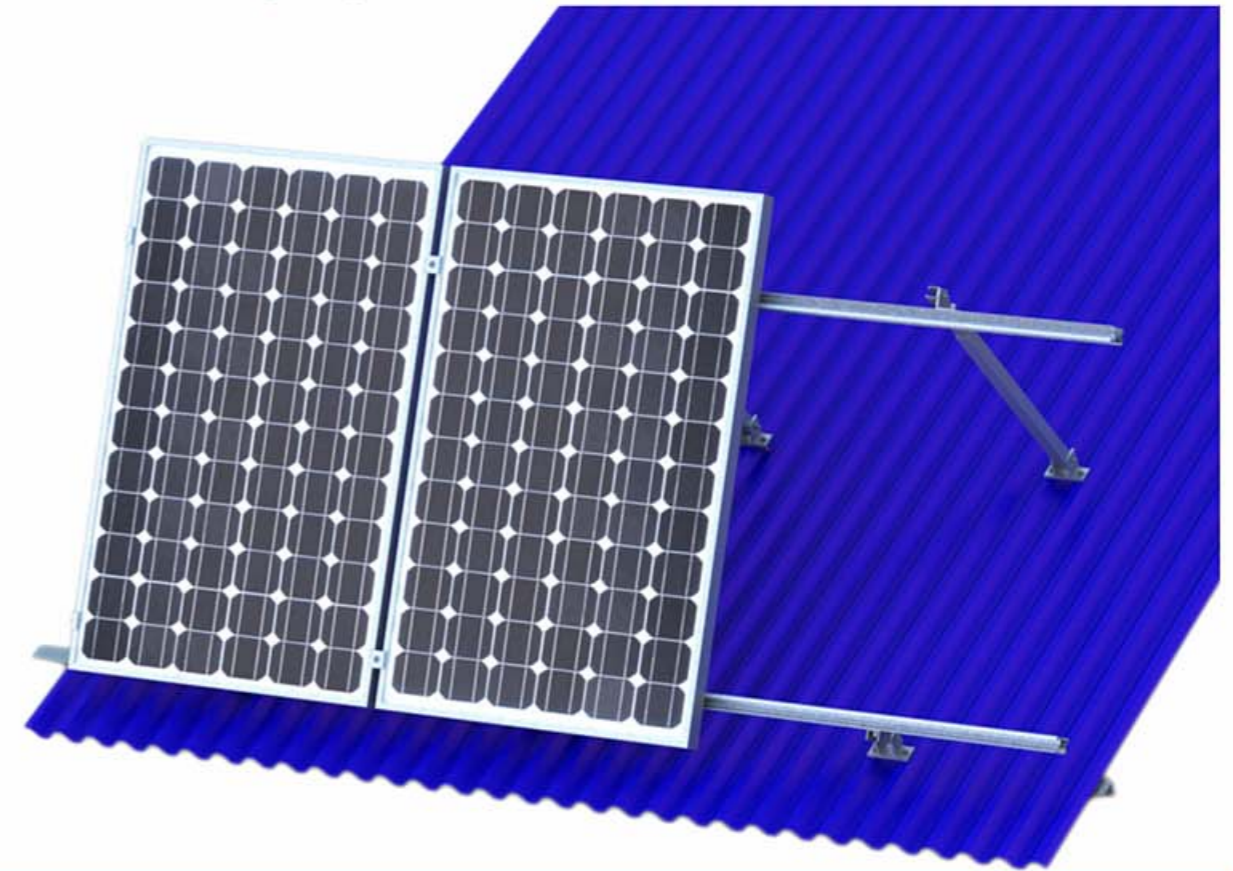


EON Cliplok 700



EON Big Cliplok 105

Adjustable tilt flat roof mounting system



Features

Application	Flat roof
Tilt angle.	Fixed, 10-15° , 15-30° , 30-60°
Roof Slope	Up to 45°
Building height	Up to 20m
Recommended wind speed	Up to 79.2m/s (wind region C)
PV module	Framed
Module orientation	Landscape, portrait
Material	Anodized aluminum 6005 T6, stainless steel 304,410
Standard	AS/NZ1170.2

The adjustable tilt flat roof mounting system will easily fit different flat roofs or open terrain applications, due to its variable tilt angle and footing options for both roof clamp and roof penetration. The solar system can be used as fixed tilt or adjustable tilt, allows for project-specific adjustments and optimize solar power output. The innovative design and high pre-assembly eliminate the need for on-site cutting, welding and enable quick and easy field PV module installation.

Components



EON Adjustable Front leg



EON Adjustable Rear Leg



EON Rail



EON Rail splice

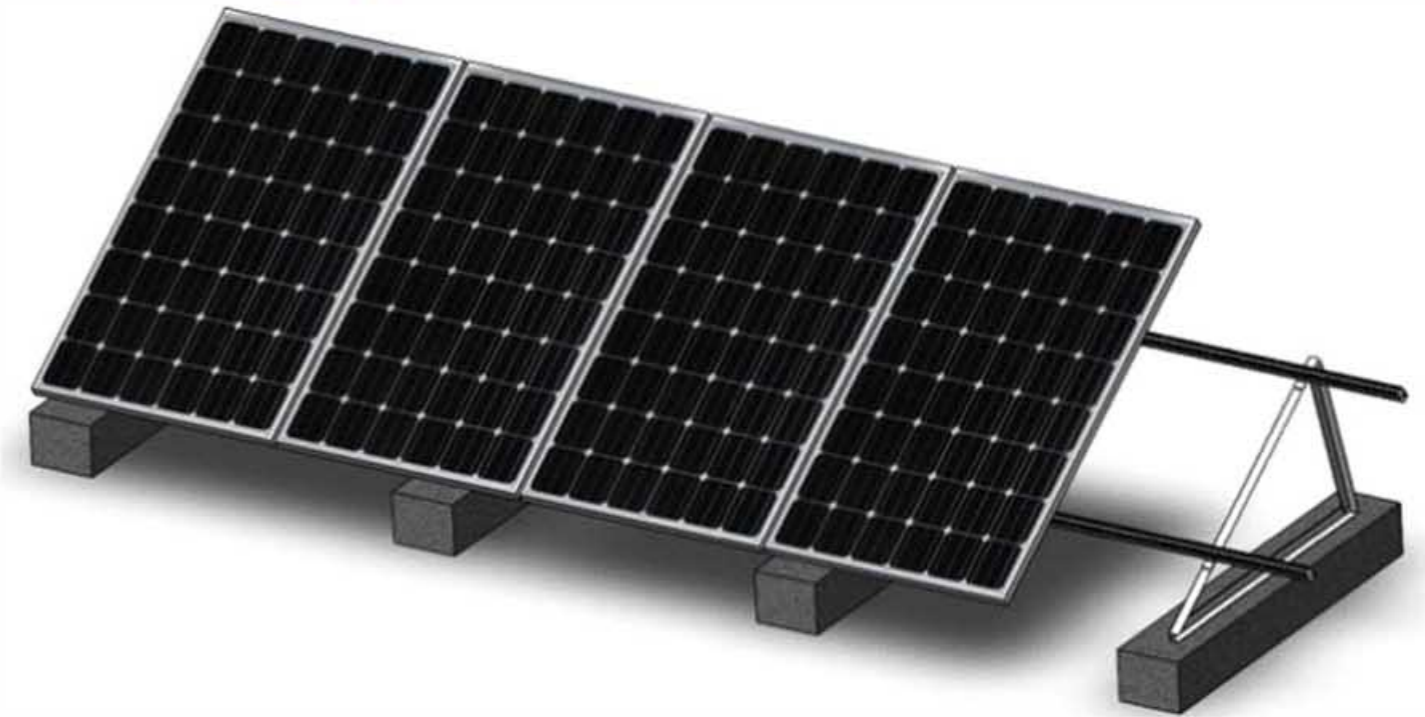


EON Mid clamp



EON End clamp

Triangle flat roof mounting system



Features

Application	Flat roof, open terrain
Tilt angle	10°, 15°, 20°, 30°
Building height	Up to 20m
Snow load	Up to 99cm
Recommended wind speed	Up to 64m/s (wind region C)
PV module	Framed, unframed
Module orientation	Landscape, portrait
Material	Anodized aluminum 6005 T6 stainless steel 304,410
Standard	AS/NZ1170.2:2011, JIS C 8955:2011

Eon solar triangle mounting bracket is a newly developed product for flat rooftop installation, more cost-effective than the traditional bracket. With only two supporting angle aluminums, it can be installed without rail, or with rail. For mini power solar plant, it's recommended to design without rail, which helps to reduce the cost and simplify packing. Fold design allows for easy transportation. Railless mounting system allows for easy logistics, cost-effective warehousing and easy mounting.

Components



EON Triangle bracket



EON Rail



EON Rail splice



EON Mid clamp



EON End clamp



EON Fixing nuts



Rail-free ballasted flat mounting system



Features

Application	Flat roof, landfill, open terrain
Tilt angle	5°, 10°
Inter-row spacing	400mm recommended
Building height	Up to 24m
Recommended wind speed	Up to 43m/s (wind region A)
PV module	Framed, unframed
Module orientation	Landscape recommended
Material	Anodized aluminum 6005 T6 stainless steel 304,410
Standard	AS/NZ1170.2

The railless ballasted roof mounting system is suitable for commercial flat rooftops, a south-oriented racking solution for mounting framed modules on flat roofs with 5°, 10° mounting tilts. Variable ballasted weight allows for local wind rating requirements to be met on an individual basis. Eliminating rails equate to just a few boxes per system, without the inconvenience of long, cumbersome rails. The simple and straightforward installation process of the system can save time and reduce the labor cost.

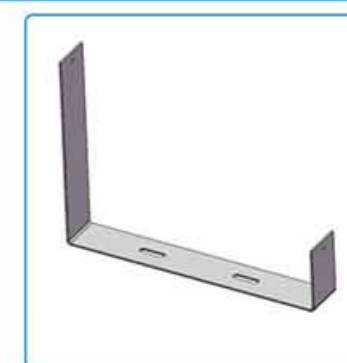
Components



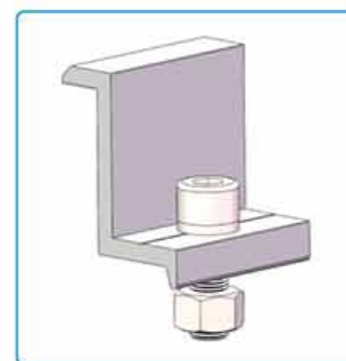
EON Front support



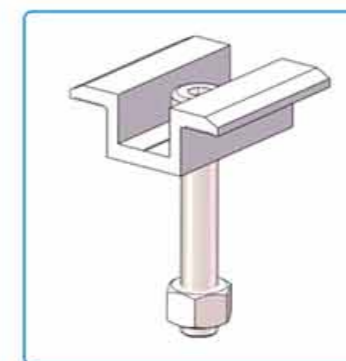
EON Rear support



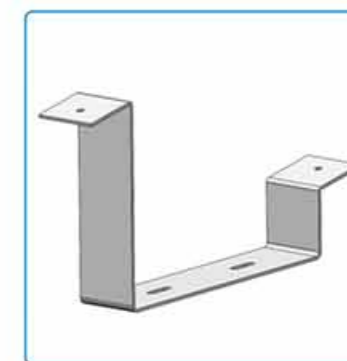
EON Inner support



EON End clamp



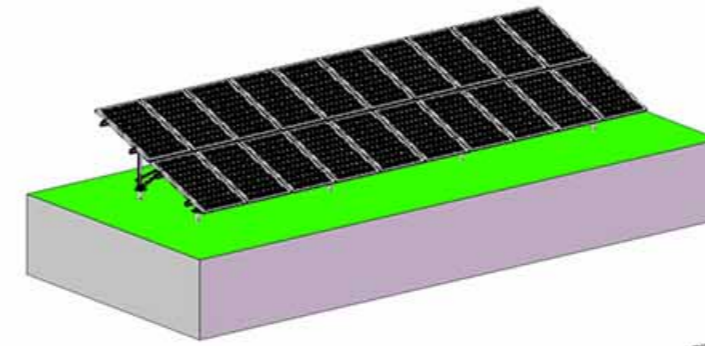
EON Mid clamp



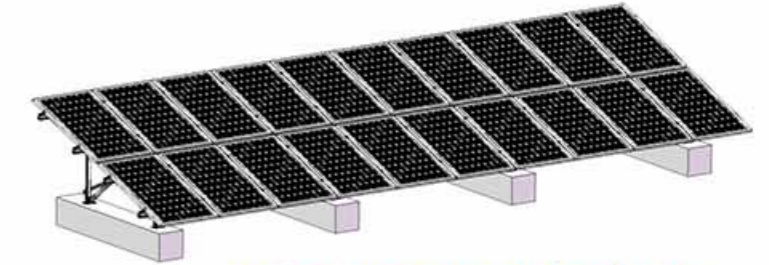
EON Support Leg



Aluminum Ground mounting system



A : Aluminum Ground screw foundation



B: Aluminum Concrete foundation

Features

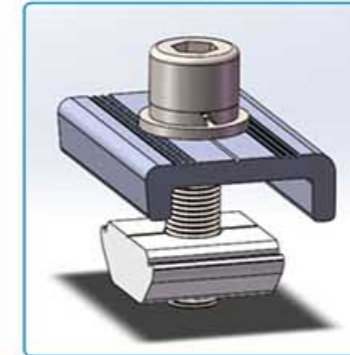
Application	Open terrain, landfill, and disposal
Elevation angle	Up to 60°
Distance between footings	Depending on load condition, refer to manual
Snow load	Up to 150cm
Recommended wind speed	Up to 88m/s(316.8kmh/196.9mph)
PV module	Framed, unframed
Module orientation	Landscape, portrait
Material	Anodized aluminum 6005 T6 stainless steel 304 , Hot-dipped galvanized steel Q235B
Standard	AS/NZ1170.2:2011, JIS C 8955:2011

Eon solar ground mount solution is designed for flat open land, from commercial to utility level. The supporting beam is delivered pre-assembled for unfolding fast at site. According to actual local conditions, different designs are offered to meet high loads caused by wind and snow in order to achieve higher cost performance. It can use ground screw or concrete block as foundation. Made of aluminum, the system is an extremely low-maintenance system during its entire life span, and fully recyclable, ideal for quick installation.

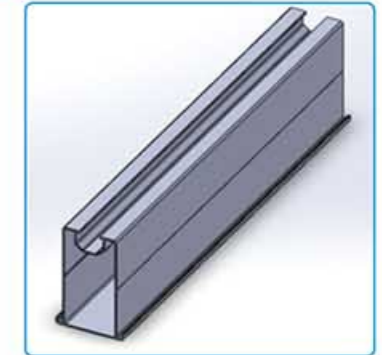
Components



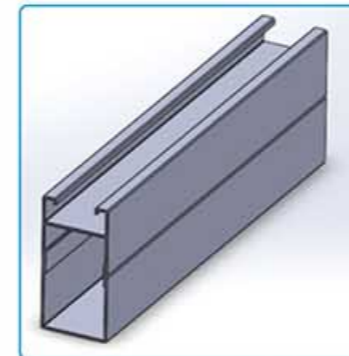
EON Pre-assembly Support



EON Rail clamp



EON Rail



EON Rail Splice



EON End clamp



EON Mid clamp



EON post-tensioning support



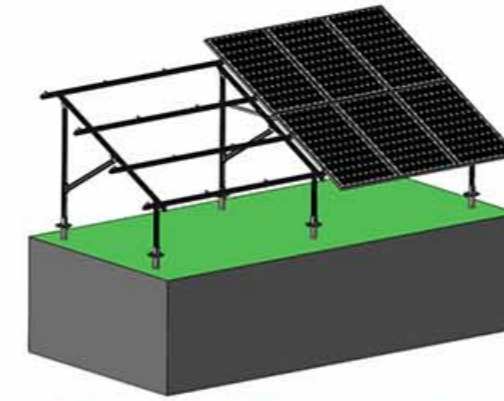
EON hexagon bolt



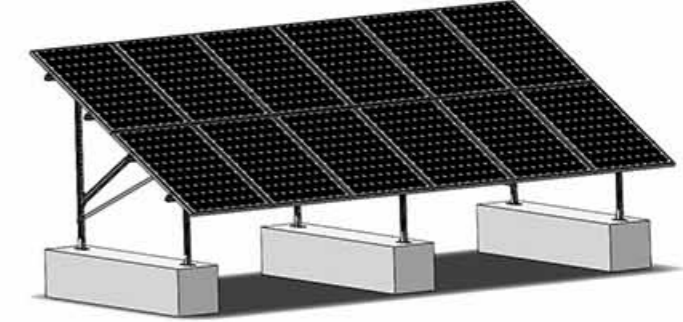
EON Screw



Hot Galvanizing Ground mounting system



A : Hot Galvanizing Ground screw foundation



B: Hot Galvanizing Concrete foundation

Features

Application	Open terrain, landfill, and disposal
Elevation angle	Up to 60°
Distance between footings	Depending on load condition, refer to manual
Snow load	Up to 150cm
Recommended wind speed	Up to 88m/s(316.8kmh/196.9mph)
PV module	Framed, unframed
Module orientation	Landscape, portrait
Material	Anodized aluminum 6005 T6 stainless steel 304 , Hot-dipped galvanized steel Q235B
Standard	AS/NZ1170.2:2011, JIS C 8955:2011

Eon solar Hot Galvanizing ground mounting system is developed to diversify current product portfolio especially for large-scale ground solar power plant. Utilizing magnesium aluminum alloy coating steel as the main supporting body to replace traditional hot-dip galvanized materials. About steel: Formed by high-temperature curing of Zinc(Z), aluminum (Al) and magnesium (Mg), and its composed of dense ternary eutectic structure of Zn, Al and Mg, so that the surface of steel has a dense barrier that effectively prevents the penetration of corrosion factors.

Components



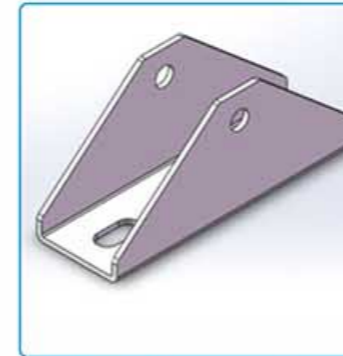
EON Support.



EON Rail.



EON Rail Splice.



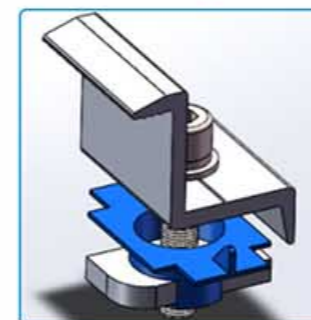
EON Hinge Joint



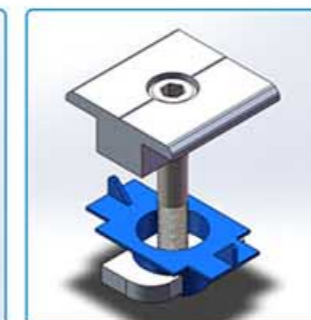
EON Base



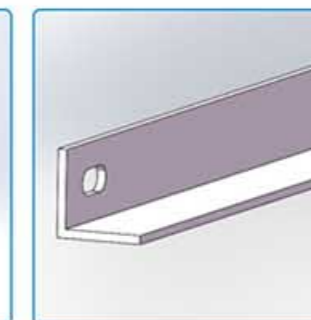
EON hexagon bolt



EON End clamp.



EON Mid clamp



EON post-tensioning support.



EON Screw



Carport solar mounting system



Features

Application	Open terrain
Elevation angle	Recommend below 30°
Distance between footings	5000mm above
Snow load	Up to 150cm
Recommended wind speed	Up to 64m/s (wind region C)
PV module	Framed, unframed
Module orientation	Landscape, portrait
Material	Anodized aluminum 6005 T6 stainless steel 304, 410 Hot-dipped galvanized steel Q235B
Standard	AS/NZ1170.2:2011, JIS C 8955:2011

Carport solar mounting system offers a simplified and economic solution providing shade for parking a solar power generation, it is designed with different options for both single and double rows of parking, tailored for most module types, orientations, and inclinations. Various foundation options include precast concrete, bored pier and ground screw. Long spans between foundations reduce cost and simplify the installation process.

Solar carport is one of the fastest growing trends in the photovoltaic market, effectively uses existing parking space, streamlined design making it the ideal choice to present environmental friendly image or work as electrical vehicle charging station.

Components



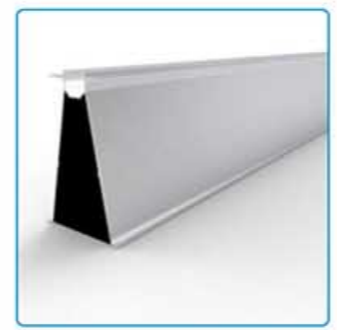
EON Foot seat



EON Pole



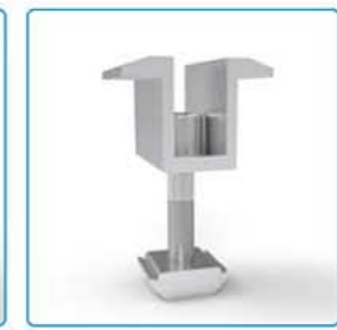
EON Supporting Beam



EON Rail



EON Rail clamp



EON Mid clamp



EON End clamp

Our accessories

Key elements to successful PV installation

Our full range of useful accessories diversify the portfolio of Eonsolar PV mounting systems and constantly being complemented in line with the market needs. Highly customization, flexibility convenience to install, quality is the primary concern.

Accessories



EON Thin film mid clamp



Eon Thin film end clamp



EON Mid clamp



Eon Adjustable end clamp



EON Roof hook 2#



EON Adjustable tile hook 1#



EON Tin hook 1#



EON Cliplick 406



EON Cliplock 700



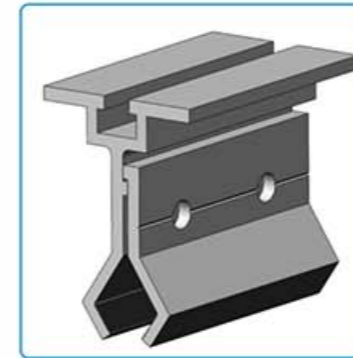
EON Big cliplock 105



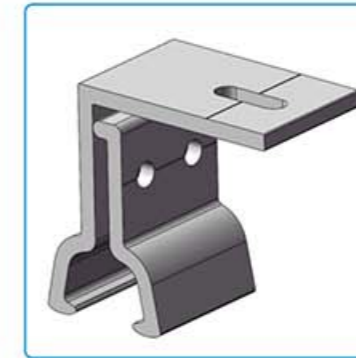
EON-SC-200



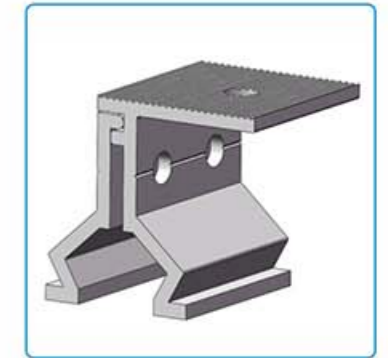
EON -Jc19



EON-JC23



EON-JC12



EON-JC14



EON Hanger bolt



EON Cable Clip



EON Grounding Clips



EON Grounding Bonding Jumper



EON Grounding Lug



EON Fixing nuts with crew

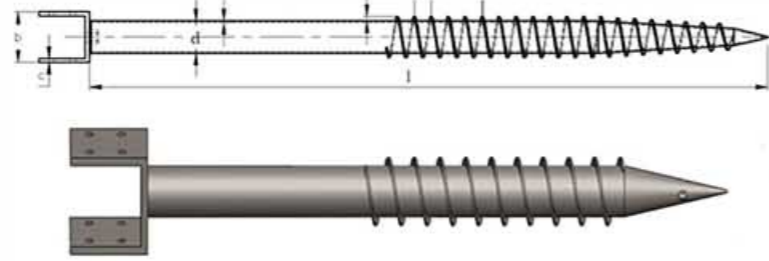
Hot-dip galvanized steel ground screw

High cost performance foundation for ground mount

Ground screw foundation allows for a streamlined design and a very cost-effective ground mount system. Using less concrete, no excavation, especially useful for sites with restricted access or environmental sensitivity. High adaptability can be widely used in all kinds of geological conditions, such as foreshore, desert, grassland, etc.

Item No.	Length.	Out Dia.	Thickness	Flange Our Dia.	Material
AT76xT3.5x1200 AT76xT3.5x1400 AT76xT3.5x1600 AT76xT3.5x1800 AT76xT3.5x2000 AT76xT3.5x1200 AT76xT3.5x1400	1200mm 1400mm 1600mm 1800mm 2000mm 1200mm 1400mm	76mm.	3.5mm	220mm.	Hot dipped galvanized steel, Q235B
AT76xT3.5x1600 AT76xT3.5x1800 AT76xT3.5x2000	1600mm 1800mm 2000mm	76mm.	3.5mm.	200mm	Hot dipped galvanized steel, Q235B

● Length can be customized



Different option of screw can be applied to specific project condition. (Length, diameter, tube thicknedd, helices thicknedd, flange size)



Screw in

● Manual piling machine

Easy operateion, cost effective for small size ground mount project.

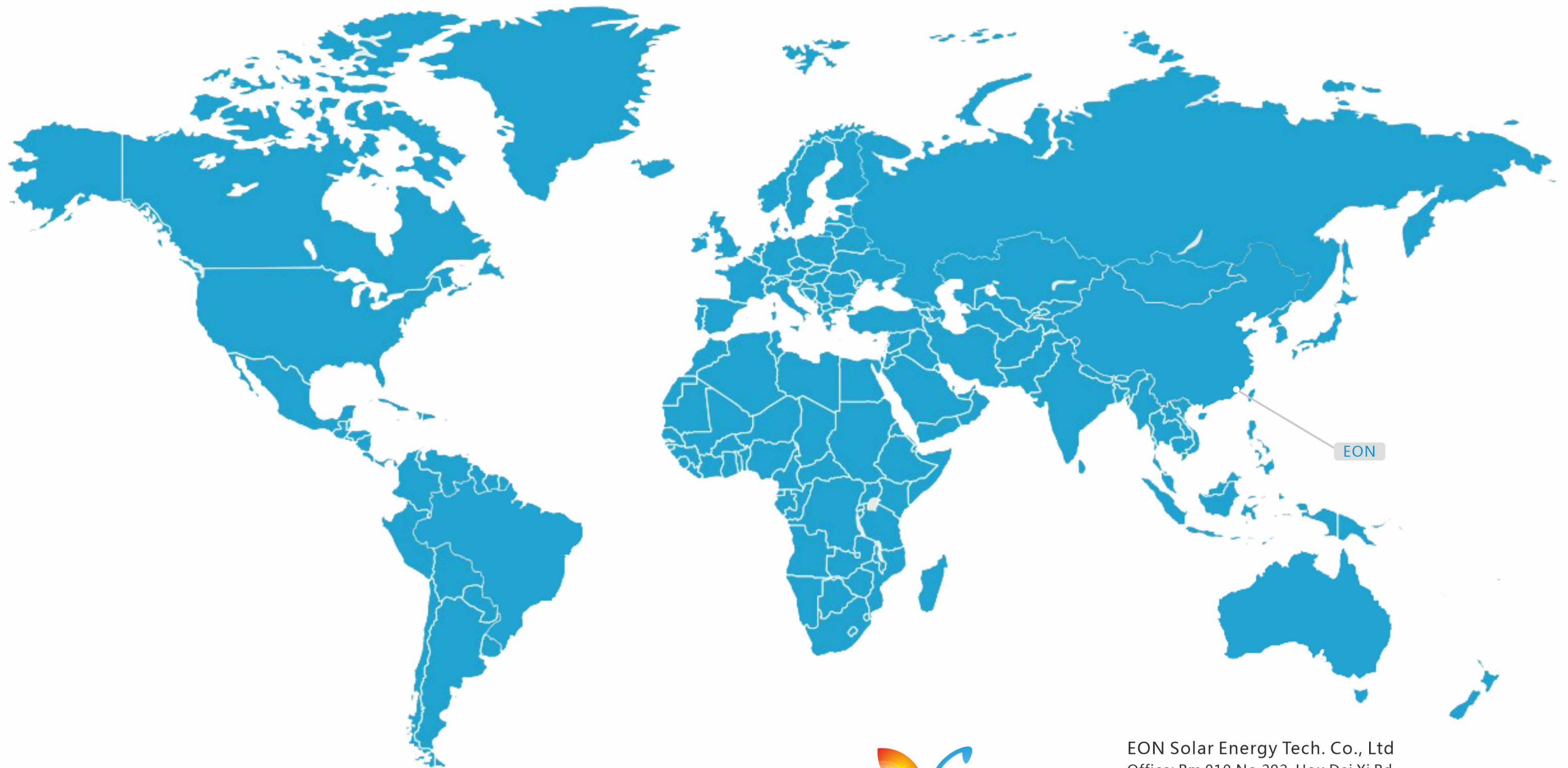
● Pile driver machine

High installation efficiency, 30-75s for one screw in, ideal for large scale project.



Package





EON Solar Energy Tech. Co., Ltd
Office: Rm 010, No. 292, Hou Dai Xi Rd,
SiMing District, Xiamen China
Telephone: +86 592 91294709
E-mail: info@eonsolar.com.cn
Website: www.eonsolaris.com