

IDC180E

120/150/180kW Isolated air-cooling fast DC charger



RELIABLE AND SAFE

- IP65 protection and C5 anti-corrosion
- Long lifespan over 10 years
- Carefree maintenance without replacing dust filter mat
- Self-designed and own-manufactured power modules



USER FRIENDLY

- Supports multiple authentication and payment options *
- Charging cable management system for premium user experience



EFFICIENT AND SMART

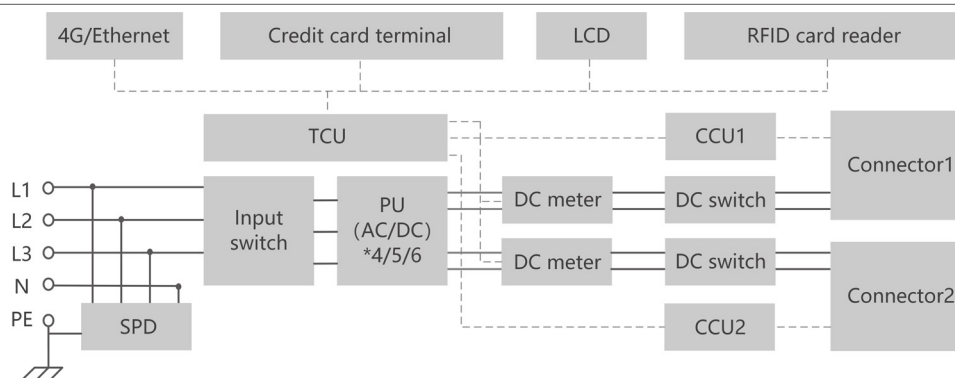
- Max. efficiency up to 96.5%
- Dynamic load management to optimize EV charging



FLEXIBLE APPLICATION

- Adaptive voltage range 200-920Vdc
- Compatibility with PV-ESS system reserved

CIRCUIT DIAGRAM



Technical data	IDC180E
Charging connector	
Connector type	Outlet #1: CCS2 Outlet #2: CCS2
Number of EV served	2
Cable length	5 m (standard) 7 m (optional)
Cable management system	Yes
EVSE-vehicle protocol	DIN SPEC 70121 ISO 15118
DC output	
DC output power **	Max. 180 kW *1 or 90 kW * 2 Max. 150 kW *1 or 60 kW + 90 kW Max. 120 kW *1 or 60 kW * 2
DC output voltage	200 Vdc - 920 Vdc
DC output current	Outlet #1: CCS2 250 A or 380 A (optional) Outlet #2: CCS2 250 A or 380 A (optional)
AC input	
Grid voltage	3 / N / PE, 380 Vac / 400 Vac (± 10 %)
Nominal grid frequency	50 Hz / 60 Hz
Earthing system	TN-C / TN-S / TN-C-S / TT
Rated input current	289 A at DC output power 180 kW 241 A at DC output power 150 kW 193 A at DC output power 120 kW
Power factor	≥ 0.99
Total harmonic distortion (THDi)	< 5 % at full output power
Overvoltage category	III
Standby self-consumption	≤ 48 W
Efficiency	
Max. efficiency	96.5 %
Protection	
Overload protection	Yes
Over/under voltage protection	Yes
Over-current protection	Yes
Short-circuit protection	Yes
Leakage current protection	Yes
Over-temperature protection	Yes
Surge protection	Yes
Emergency stop	Yes
User interface	
Display	10-inch color touch screen English (standard) Other languages available by firmware upgrade
Language	RFID-card / Plug & play / Auto-charge (standard) Plug & charge / Debit or credit-card (optional)
Authentication	OTA (over-the-air) by iEnergyCharge
Firmware update	ISO / IEC 14443 A / B ISO / IEC 15693
RFID system	MID-certified meter integrated Eichrecht / PTB-certified meter integrated (optional)
Energy metering	WLAN / Ethernet / 4G
Communication interface	OCPP 1.6J Ready for OCPP 2.0.1
Communication protocol (charger-to-CSMS)	
Mechanical data	
Dimensions (W*H*D)	930 mm * 1930 mm * 615 mm
Weight	≤ 500 kg ***
Installation method	Floor mounted
AC cable specification	Min. 150 mm ² Max. 240 mm ²
Environmental data	
Enclosure rating	IP65
Anti-corrosion degree	C5
Mechanical impact protection	IK10 ****
Operating ambient temperature range	-35 °C - 55 °C
Allowable relative humidity range	5 % - 95 % (non-condensing)
Max. operating altitude	≤ 2000 m
Cooling method	Smart forced air cooling ≤ 65 dB (A) at 1 m distance / 25 °C , at full output power
Noise (typical)	
Certification and standards	
Certifications	CE, CB, UKCA
Compliance	ETSI / EN 300 328, EN 300 330, EN 301 489-1 / 3 / 17 / 52, ETSI / EN 301 908-1 / 13, EN 50665, BS / EN IEC 61851-1, BS / EN IEC 61851-21-2, BS / IEC EN 61851-23 / 24, EN IEC 62311
Warranty	3 years (standard)

* Authentication via debit or credit-card is optional and requires payment terminal integrated in IDC180E. Please consult Sungrow for more information. ** The output power of IDC180E is configurable at power unit level. There are 6 power units integrated in IDC180E with output power 180kW, 5 power units with output power 150kW and 4 power units with output power 120kW. *** The weight varies from 440 kg up to 500 kg according to the quantity of power units integrated in IDC180E. **** The mechanical impact protection degree of HMI is IK08.